

Technical data sheet

Product features



Slicer gear, blade 250 mm serrated

Model	SAP Code	00005793
--------------	-----------------	----------



- Blade type: Serrated
- Blade diameter [mm]: 250
- Cutting thickness [mm]: 0 - 14
- Useful Cut [mm]: 230 x175
- Transfer type: Snail
- Material: Aluminium
- Safety cover: transparent plexiglass
- Safety element: motor with fan and overheating protection
stainless steel blade guard
transparent finger protection
- Suitable consumer: Suitable for smaller operations
- Table position: Oblique
- On/Off button: Yes
- Continuous work limit: running time without limitation

SAP Code	00005793	Loading	230 V / 1N - 50 Hz
Net Width [mm]	525	Blade type	Serrated
Net Depth [mm]	425	Blade diameter [mm]	250
Net Height [mm]	380	Cutting thickness [mm]	0 - 14
Net Weight [kg]	14.00	Useful Cut [mm]	230 x175
Power electric [kW]	0.155		

Technical data sheet

Technical drawing



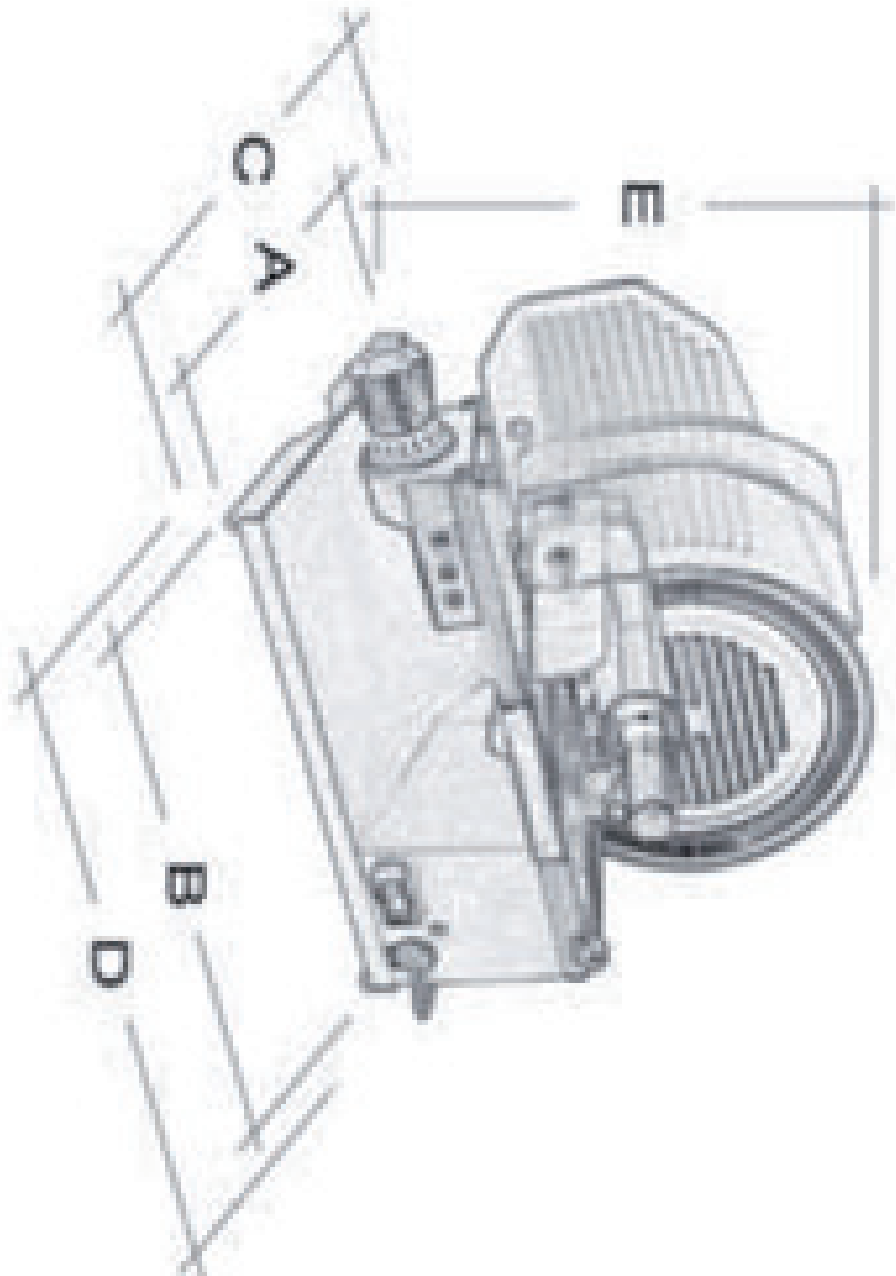
Slicer gear, blade 250 mm serrated

Model

SAP Code

00005793

Model	A	B	C	D	E
GMS 220	275	375	380	445	370
GMS 250	275	430	425	525	380
GMS 275 XL	350	490	480	510	400
GMS 300	350	490	480	580	515



Technical data sheet

Product benefits



Slicer gear, blade 250 mm serrated

Model

SAP Code

00005793

1

Aluminum alloy body

robustness

purity

- long service life
- very easy to clean

2

Worm gear

long service life

- thanks to the worm gear and the more powerful motor, it can be used de facto continuously

3

Anti-stick treatment of the knife including anti-stick grooves

less adhesion of the sliced food to the knife

- thanks to the blade design, even softer foods can be cut, saving costs and time

4

Fan-cooled motor with overheating protection

greater capacity of processed food

long life

- can work longer thanks to cooling
- less risk of overheating and engine damage due to cooling

5

Finger protection

high operational safety

- the finger guard minimises the risk of accidents at work

6

Serrated knife

better cutting quality of soft foods

- smoother and faster slicing of soft foods saves time and costs

7

Grinding equipment included in the price

guaranteed sharpness of the knife

quick maintenance

- no additional costs for external grinding
- easy maintenance
- immediate solution
- time saving

Technical data sheet

Technical parameters



Slicer gear, blade 250 mm serrated

Model

SAP Code

00005793

1. SAP Code:

00005793

2. Net Width [mm]:

525

3. Net Depth [mm]:

425

4. Net Height [mm]:

380

5. Net Weight [kg]:

14.00

6. Gross Width [mm]:

580

7. Gross depth [mm]:

480

8. Gross Height [mm]:

460

9. Gross Weight [kg]:

18.00

10. Device type:

Electric unit

11. Material:

Aluminium

12. Power electric [kW]:

0.155

13. Loading:

230 V / 1N - 50 Hz

14. Control type:

Mechanical

15. Safety cover:

transparent plexiglass

16. Safety element:

motor with fan and overheating protection
stainless steel blade guard
transparent finger protection

17. Suitable consumer:

Suitable for smaller operations

18. Engine protection:

fan and overheating protection

19. Adjustable feet:

Yes

20. Main switch:

Yes

21. Transfer type:

Snail

22. Blade type:

Serrated

23. Blade diameter [mm]:

250

24. Useful Cut [mm]:

230 x175

25. On/Off button:

Yes

26. Continuous work limit:

running time without limitation

Technical data sheet

Technical parameters



Slicer gear, blade 250 mm serrated

Model

SAP Code

00005793

27. Removable moving table:

Yes

28. Anti-adhesive blade treatment:

Yes

29. Table position:

Oblique

30. Blade cover material:

Stainless steel

31. Sharpening device:

Additional included in the price

32. Blade hardness:

58-59 HRC

33. Cutting thickness [mm]:

0 - 14